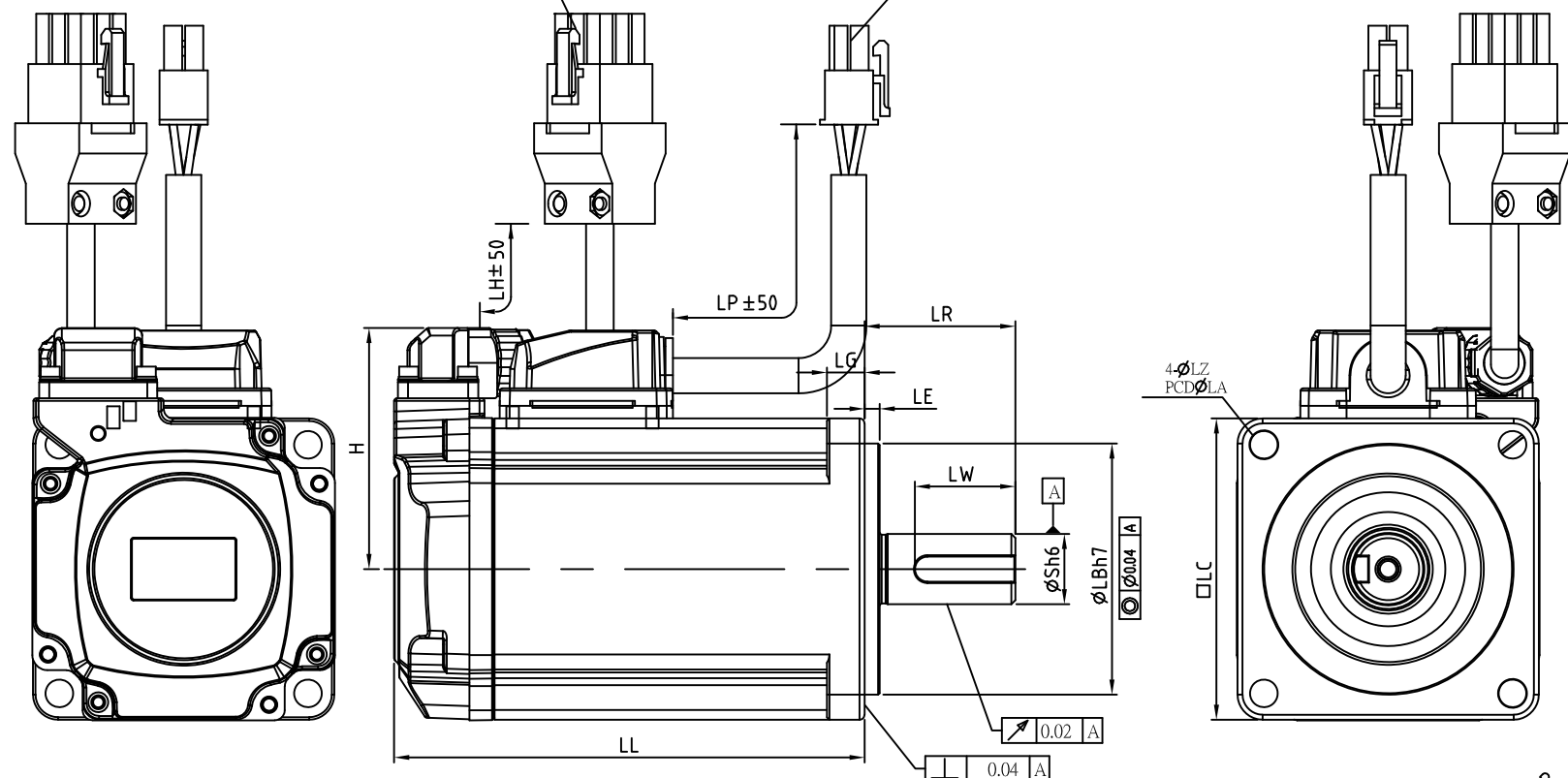


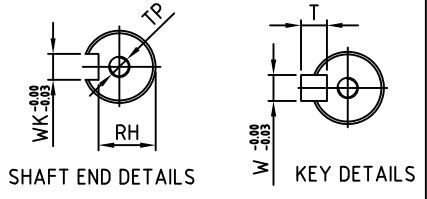
ENCODER CONNECTOR
AMP 1-172169-9

MOTOR CONNECTOR
CP-01106031



DIMENSION TABLE

MODEL	LL	LR	LG	LW	WK	W	T	RH	TP	S	LE	LA	LZ	LB	LC	H	LH	LP
ECM-E3M-C□0604RSE	91	30	7.5	20	5	5	5	11	M4, Depth 15	14	3	70	5.5	50	60	48.5	300	300
ECM-E3M-C□0602RSE	72.5	30	7.5	20	5	5	5	11	M4, Depth 15	14	3	70	5.5	50	60	48.5	300	300



SHAFT END DETAILS

KEY DETAILS

台達電子工業股份有限公司
DELTA ELECTRONICS, INC.

DRAWN: DESIGN:
APPROVE: DATE: 03/28/2022

THESE DRAWINGS AND SPECIFICATIONS ARE THE PROPERTY OF DELTA ELECTRONICS, INC. AND SHALL NOT BE REPRODUCED OR USED AS THE BASIS FOR THE MANUFACTURE OR SELL OF APPARATUS OR DEVICES WITHOUT PERMISSION.

DIMENSIONAL TOLERANCES

DECIMALS	<50	±0.1	<50	±0.15	<50	±0.2	<30°	±0.1°	
X	±0.3	>50-100	±0.15	>50-100	±0.2	>50-100	±0.25	>30°-60°	±0.3°
X.X	±0.2	>100-200	±0.2	>100-200	±0.25	>100-200	±0.3	>60°-90°	±0.5°
X.XX	±0.1	>200~	±0.2	>200~	±0.25	>200~	±0.3		

DESCRIPTION: CONFIDENTIAL
MOTOR-F60

A3 PART NO.:
THIRD ANGLE PROJECTION

USED ON UNIT mm SCALE SHEET 1 OF 1